

# CHE 4253

## ASSIGNMENT 4

Due Sep 17

### PROBLEM #1(Individual)

Consider the data of problem 1 in Assignment 2. Use the Pinch design method to construct a MER using an HRAT of 10 °C.

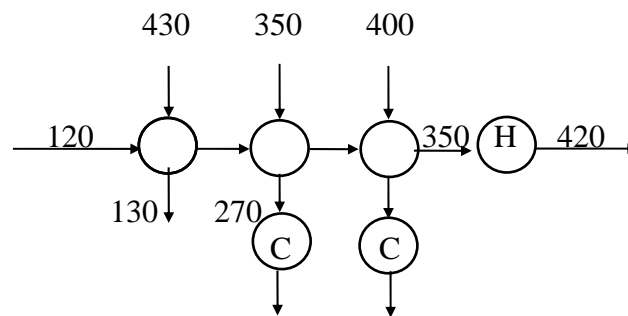
### PROBLEM #2 (Group) *Graded as Project*

Consider the following data

FCp (KW/C)	Initial Temperature	Target Temperature
5	120	420
2	430	130
5	350	230
3	400	110

$U = 0.001 \text{ MW m}^{-2}\text{°C}$ .

Existing network



- Is there anything wrong with this network? Why?
- If there is something wrong, how would you fix it?